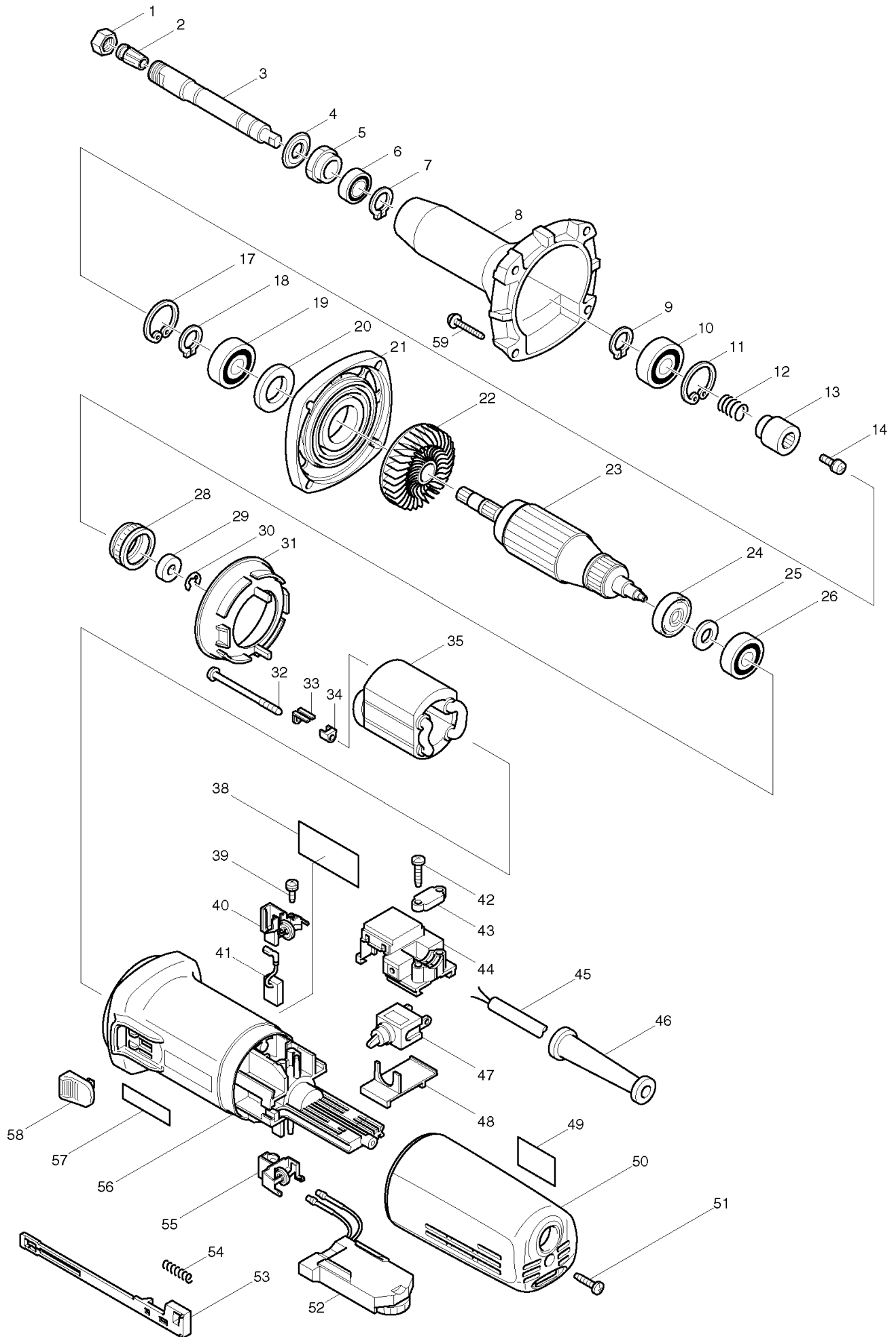


Nr.	Art nr.	Namn
1	763645-2	COLLET NUT
2	193012-1	Supistusholkki ja kiristyshylsy 6 mm
3	324042-3	SPINDLE
4	213209-7	OIL SEAL 16
5	285700-5	BEARING RETAINER
6	211141-9	BALL BEARING 6901LLB
7	961052-5	RETAINING RING S-12
8	317368-0	BARREL
9	961052-5	RETAINING RING S-12
10	211148-5	BALL BEARING 6001ZZ
11	962106-1	RETAINING RING R-28
12	233901-9	LOCK SPRING 12
13	323989-8	COUPLING
14	265082-1	PAN HEAD SCREW M4X8
17	962106-1	RETAINING RING R-28
18	961052-5	RETAINING RING S-12
19	211148-5	BALL BEARING 6001ZZ
20	253084-9	FLAT WASHER 12
21	317367-2	BEARING BOX
22	240036-9	FAN 57
23	515219-3	ARMATURE ASS'Y 240V
24	681656-4	INSULATION WASHER
25	253823-7	FLAT WASHER 7
26	210023-2	BALL BEARING 627DDW
28	421770-2	LABYRINTH RUBBER RING 22
29	688117-5	MAGNET SLEEVE
30	259039-2	SELF LOCK 6
31	413076-2	BAFFLE PLATE
32	266259-1	TAPPING SCREW 4X60
33	344871-8	RETAINER
34	417237-6	INSULATION COVER
35	626524-4	FIELD 230-240V
38	852410-5	NAME PLATE GD0800C
39	266256-7	TAPPING SCREW PT3X10
40	643760-7	BRUSH HOLDER
41	191978-9	Hillet CB-318
42	265995-6	TAPPING SCREW 4X18
43	687052-4	STRAIN RELIEF
44	632945-0	SWITCH BLOCK
45	665394-6	POWER SUPPLY CORD 1.0-2-2.5
46	682559-5	CORD GUARD 8
47	651418-4	SWITCH ST115A-40
48	687113-0	COVER
49	816800-6	INDICATION LABEL
50	417185-9	REAR COVER
51	265995-6	TAPPING SCREW 4X18
52	631391-4	CONTROLLER
53	417187-5	SWITCH LEVER

---

54	233071-4	COMPRESSION SPRING 4
55	643974-8	BRUSH HOLDER
56	417812-8	MOTOR HOUSING
57	819720-3	MAKITA LABEL
58	417813-6	SWITCH KNOB
59	265999-8	TAPPING SCREW 4X25



Nr.	Art nr.	Namn
1	763645-2	COLLET NUT
2	193012-1	Supistusholkki ja kiristyshylsy 6 mm
3	324042-3	SPINDLE
4	213209-7	OIL SEAL 16
5	285700-5	BEARING RETAINER
6	211141-9	BALL BEARING 6901LLB
7	961052-5	RETAINING RING S-12
8	317368-0	BARREL
9	961052-5	RETAINING RING S-12
10	211148-5	BALL BEARING 6001ZZ
11	962106-1	RETAINING RING R-28
12	233901-9	LOCK SPRING 12
13	323989-8	COUPLING
14	265082-1	PAN HEAD SCREW M4X8
17	962106-1	RETAINING RING R-28
18	961052-5	RETAINING RING S-12
19	211148-5	BALL BEARING 6001ZZ
20	253084-9	FLAT WASHER 12
21	317367-2	BEARING BOX
22	240036-9	FAN 57
23	515219-3	ARMATURE ASS'Y 240V
24	681656-4	INSULATION WASHER
25	253823-7	FLAT WASHER 7
26	210023-2	BALL BEARING 627DDW
28	421770-2	LABYRINTH RUBBER RING 22
29	688117-5	MAGNET SLEEVE
30	259039-2	SELF LOCK 6
31	413076-2	BAFFLE PLATE
32	266259-1	TAPPING SCREW 4X60
33	344871-8	RETAINER
34	417237-6	INSULATION COVER
35	626524-4	FIELD 230-240V
38	852410-5	NAME PLATE GD0800C
39	266256-7	TAPPING SCREW PT3X10
40	643760-7	BRUSH HOLDER
41	191978-9	Hillet CB-318
42	265995-6	TAPPING SCREW 4X18
43	687052-4	STRAIN RELIEF
44	632945-0	SWITCH BLOCK
45	665394-6	POWER SUPPLY CORD 1.0-2-2.5
46	682559-5	CORD GUARD 8
47	651418-4	SWITCH ST115A-40
48	687113-0	COVER
49	816800-6	INDICATION LABEL
50	417185-9	REAR COVER
51	265995-6	TAPPING SCREW 4X18
52	631391-4	CONTROLLER
53	417187-5	SWITCH LEVER

---

54	233071-4	COMPRESSION SPRING 4
55	643974-8	BRUSH HOLDER
56	417812-8	MOTOR HOUSING
57	819720-3	MAKITA LABEL
58	417813-6	SWITCH KNOB
59	265999-8	TAPPING SCREW 4X25